



***motoalliance***



***VIPER***  
— **WINCHES** —

**Kawasaki KRX 1000 Winch Mount**  
**MA11835**

INSTALLATION INSTRUCTIONS

Thank you for purchasing a VIPER Winch Mount.  
You now own a premium, custom mount to allow you to use your winch with your UTV.  
**Please note the following instructions and heed all warnings.**



- Your UTV and winch system can cause death or injury. Please use caution and common sense when operating your unit.
- Read your Winch Operator Manual and all warning labels before operating your UTV and winch system.
- Be observant of moving parts causing entanglement, use extreme caution!

**SEVERE INJURY OR DEATH MAY RESULT IF YOU ARE NEGLIGENT.**

**PARTS LIST**



Please verify that all hardware and parts are included in your package.

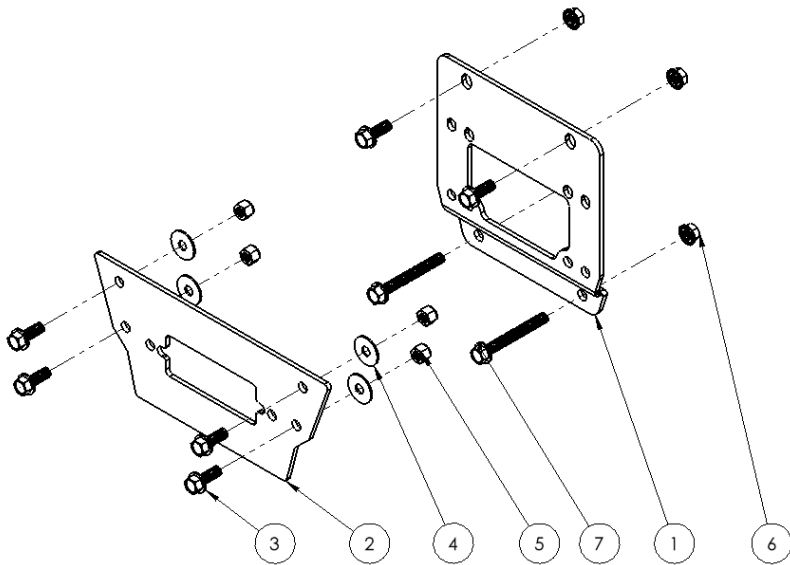
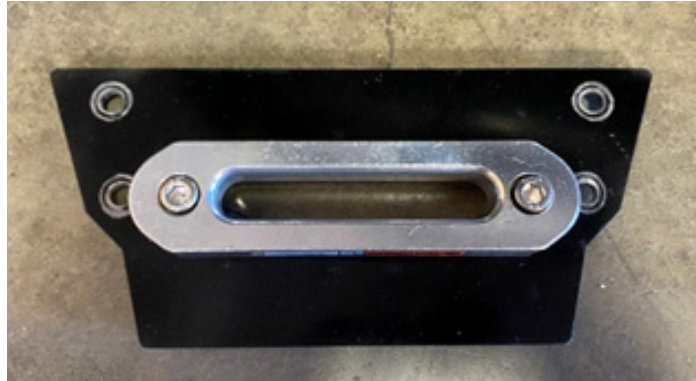


Figure 1

Part#	Qty	Item Description
1	1	MA11835 Mount Plate
2	1	MA11835-3 Fairlead Mounting Plate
3	6	3/8" 16x1" Serrated Flange Bolt
4	4	3/8" Fender Washer (thick)
5	2	3/8" 16x3" Serrated Flange Bolts
6	4	3/8" 16 Nylock Nut
7	4	3/8" 16 Serrated Flange Nut

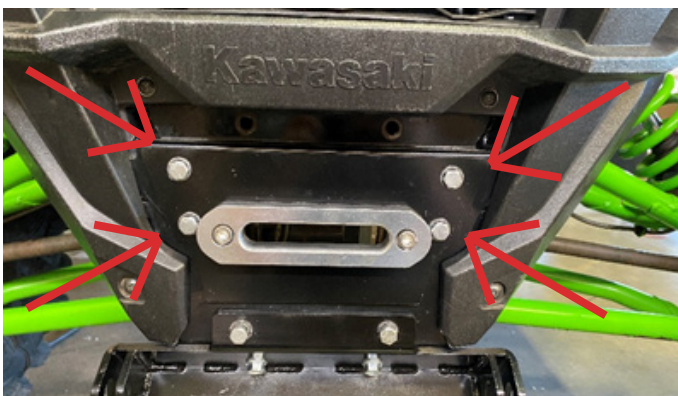
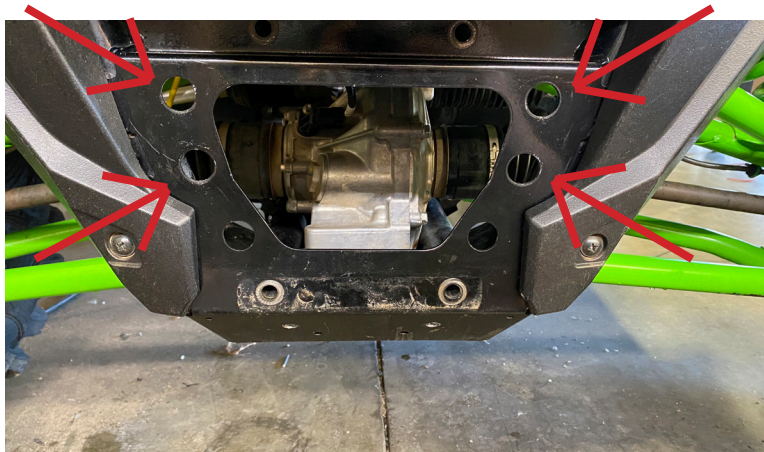
## INSTALLATION INSTRUCTIONS

1. Mount your Wide Spool Fairlead to MA111835-3, Fairlead Mounting Bracket using the Fairlead and hardware provided with your winch.



2. Using four of the 3/8" - 16x1" Serrated Flange Bolts, the large 3/8" fender washers, and the 3/8" -16 Nylock Nuts, attach the MA11835-3 Fairlead Mounting Bracket to the front of the frame.

**Note:** The holes in the front of the frame are oversized, so use the large fender washers and tighten slowly to center the bolts.

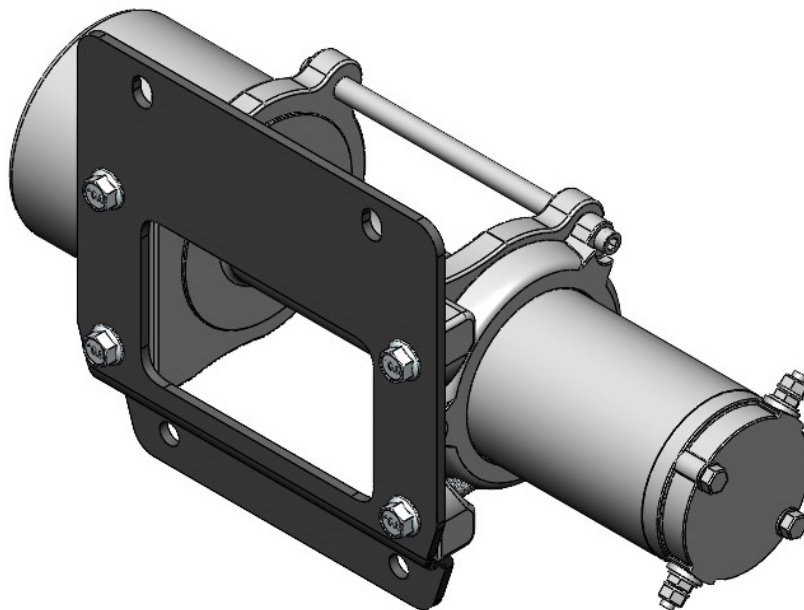




3. Remove your cable from your winch. Place the rubber Stopper (if it is included in your winch kit) on your cable and thread the cable through the Fairlead bracket and attach it to your winch.

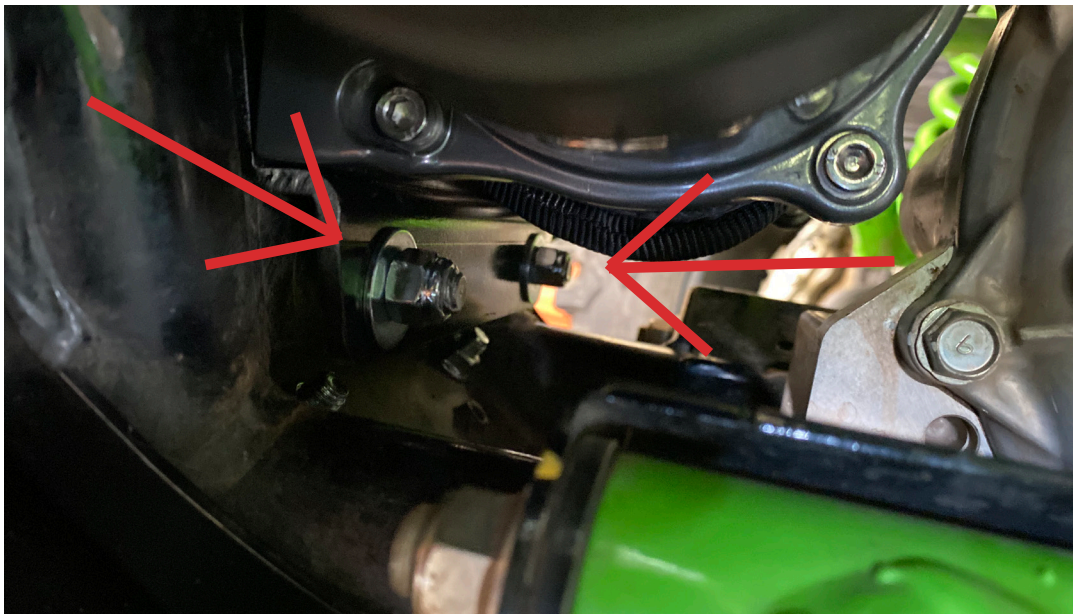
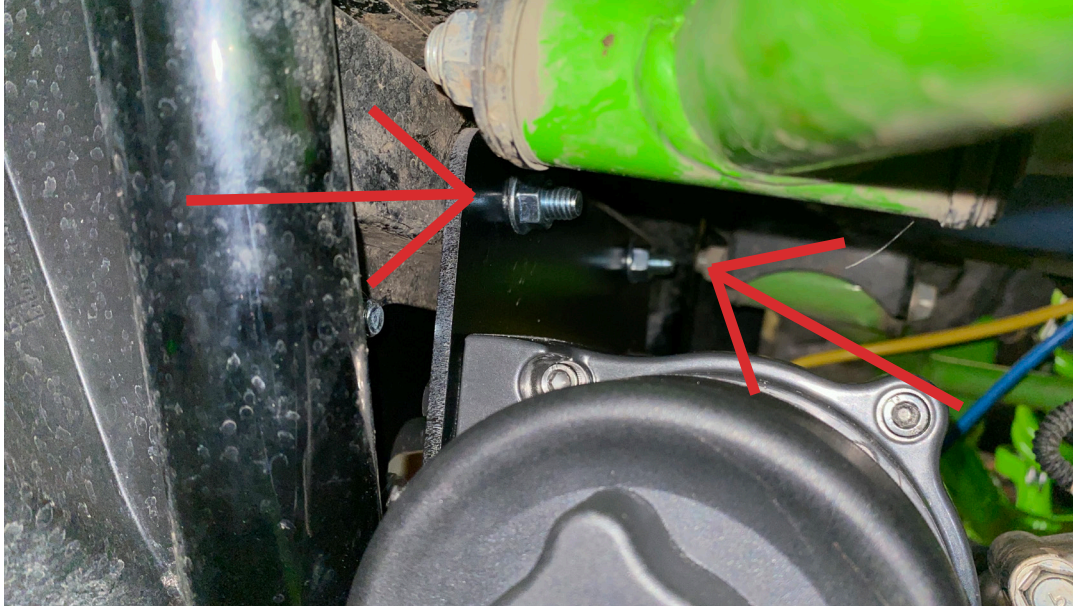


4. Attach your winch to the MA11835-1 Winch Mounting Plate using the hardware provided in your winch kit.





5. Slide the MA11635-1 and winch in front of the differential and behind the MA11835-3 and Fairlead. Use the remaining 3/8" hardware as shown in Figure 1 to bolt the MA11835 bracket to the front of the frame.



6. Recheck and tighten down all hardware after the first few drives on your machine and before every winching season as the frame may have flexed, causing the hardware to loosen.